



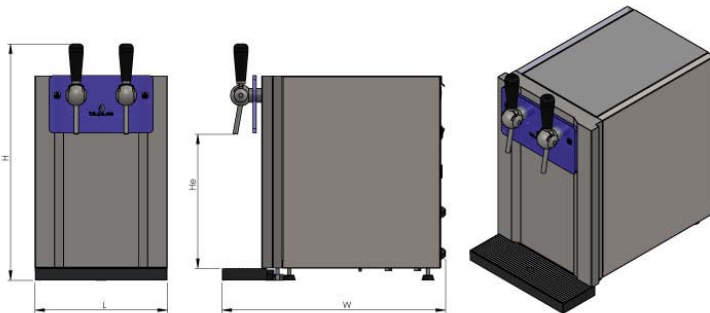
BLUBar



BLUBAR 30 BEER TAP FIZZ	
Cooling capacity (Lt/h)	30
Continuous supply (Lt)	6
Cold water temperature*	5° - 12° C
Cooling technology	Aluminium fusion block
Condensation	Forced ventilation (fan)
Adjustable Thermostat	Yes
Refrigerant gas	Natural gas R290
Compressor power	1/8 HP
Pump	Professional membrane carbonation pump
Dispensing area height He (mm)	328
Typology	Counter top
Supply	230 V - 50 Hz
Power	230 W - 1 A
Working room temperature	Min 5°C - Max 35°C
NET WEIGHT kg	26
GROSS WEIGHT kg	31
Dimensions L x W x H (mm)	318 x 553 x 562
Dispensing	Sparkling cold water and still cold water
Mechanical outlet taps	HQ Stainless Steel mechanical taps
Materials	All roust stainless steel and plexiglass parts
Other features	Easy access for complete service maintenance Inner space for filtration
OPTIONAL	
CO ₂ pressure reducer	On request (outside the machine)
Water pressure reducer	On request (outside the machine)
Filtration	3M filter (inside the machine)



*rated at a room temp. of 25°C and inlet water temp. of 20°C
For a proper installation of the system, the use of the Water Block is compulsory.



Associazioni:

ASSOCIAZIONI COSTRUTTORI TRATTAMENTI ACQUE PRIMAVERE

Blupura Srl - Italy | T. +39 071 971 0080
info@blupura.com | www.blupura.com

Blupura USA Inc. - USA | T. +1 305 777 3591
blupurausa@blupura.com

Certificazioni:

